

Alphalux F

System of protection	IP20
Series	halogen lamp
Lamp arm length	465 mm (flexible)
Radiation angle	15 °
Power	20 W
Voltage	230 V 50 Hz
Item no.	596-005-001

CHARACTERISTICS / ADVANTAGE

- flexible workplace lamp - flexible arm
- halogen lamp

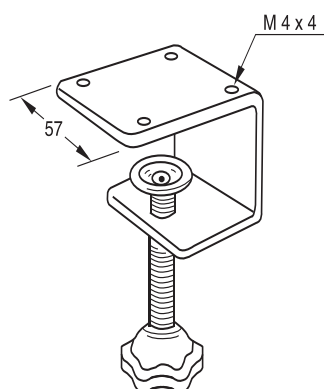


Alphalux F

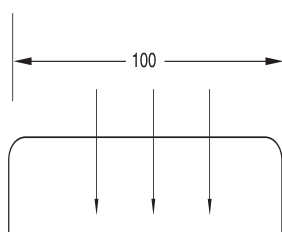


TYPE	ITEM NO.	POWER	EMISSION ANGLE	ARM LENGTH / MM	VOLTAGE
Alphalux F	596-005-001	20 W	15 °	flexible 465	230 V, 50 Hz

ACCESSORIES



screw clamp
item no.: 213-720-013



magnet and screw
item no.: 599-002-001



replacement lamp 12 V / 20 W
QT
item no.: 213-900-021

DRAWING

