



Metal arm lighting system made up of aluminum spot covered by anti-heat ABS case with on-off switch, 3 LED sources with 8°-25°-40° lens, painted aluminum arm with LED driver, strong aluminum base with sphere and holes for lamp fastening. Power supply 230V 50/60Hz. Current 350mA.



Applications: particularly suitable for the lighting key cutting machines, workbenches, sewing machines, stitching machines, medical's surgery.

ELECTRICAL FEATURES

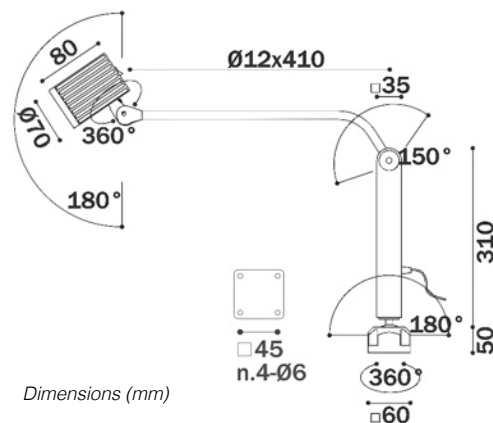
Power supply	230Vac 50/60Hz
Led operating voltage	12 Vdc
Current	350mA cc
Power	3 W
IEC class	I
Driver LED	Cod. A0171005060503B
Power cable	PVC L1,5 m with Schuko
Degree of protection	IP20

MECHANICAL AND OPTICAL FEATURES

LED type	Power led
N. LED	3
LED lifetime	50.000 h
Lens	8°-25°-40°
Light colour	5k00 K - CRI75
Fastening	4 screws
Switch	Unipolar on-off on the spo
Colour	RAL9002
Weight	2,5 Kg ~

ORDER CODES

Codes	Lens	Color
LSR.3L.08.B	8°	White
LSR.3L.25.B	25°	White
LSR.3L.40.B	40°	White



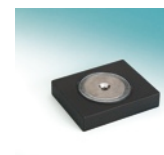
Light flow from the surface

H 220mm - 40° lens		H 500mm - 40° lens	
Current	350mA	Current	350mA
∅ (mm)	lux	∅ (mm)	lux
60	10800	105	2280
120	3400	240	1180
180	1000	380	430

Fastening accessories



Clamp04



Magnetic plate B02