



LED lamp for workbenches.

Aluminum and ABS dissipator, gooseneck arm with PVC cover, ABS base with fastening holes, on/off switch and built-in LED driver (in the lamp base).

230V 50/60Hz. Power supply

Electrical features

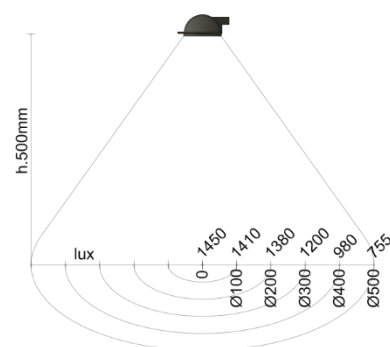
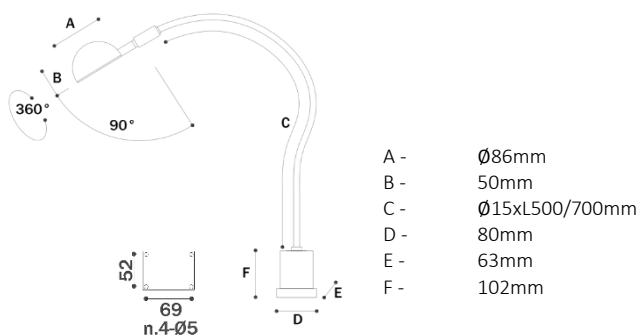
Power supply	110-230 Vac 50-60Hz
LED operating voltage	9 Vdc
LED operating current	500 mA dc
Power watt	4,5 W (@500mA)
IEC class	II
LED driver	in the base (cod. A0141005060709B)
Power cable	PVC L1,5m with euro plug

Mechanical and optical Features

LED type	LED Multichip
N° of LED	1
LED lifetime	50.000 h
Brightness	660 lm - 120°
Color rendering index	75
Light color	5000 K
Fastenig	screws / CLAMP03 - B01 (to be ordered separately)
Switch	on-off on the base
Index of protection	IP30
Color	Black - RAL7035
Weight	1,20 Kg ~

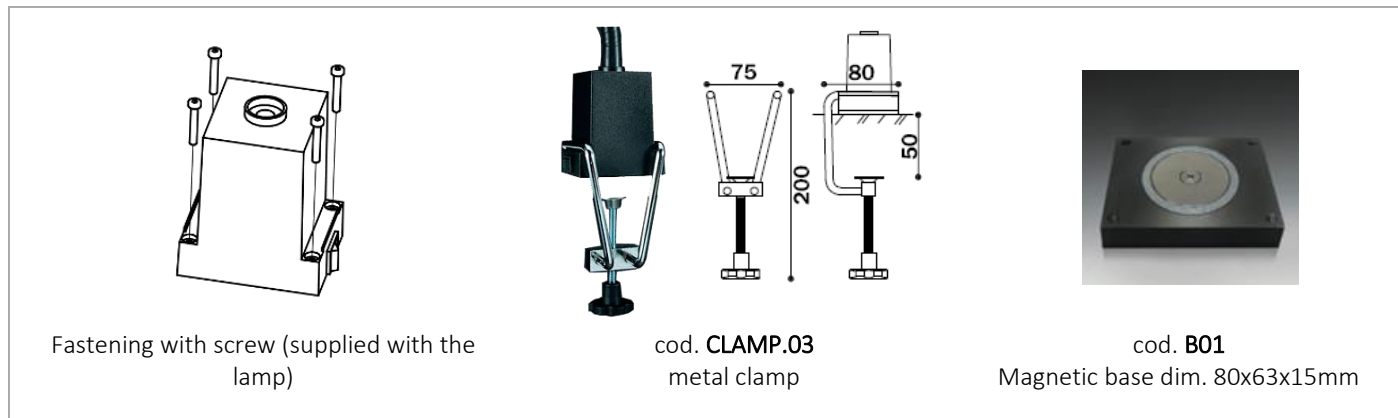
DIMENSIONS (all values in mm)

LIGHT FLOW FROM WORKING SURFACE





FASTENING



ELECTRICAL CONNECTION



ORDER CODES

CODE	DESCRIPTION
Lamp	
P996.70.B	LED lamp 660lm 5000K 230V RAL7035
P996.70.N	LED lamp 660lm 5000K 230V BLACK
Fastening accessories	
CLAMP.03	Metal clamp for lamp fastening
B01	Magnetic base for lamp fastening