



Adjustable lighting system for work-places . Painted aluminum structure. Light source made up of 36 power LED 13W. Anodized aluminum spotlight with polycarbonate covering. Articulating arm with sphere. Switgtn on the spot. Built-in LED driver. Power supply 230V 50/60Hz - 24VDC



Applications: ideal for any kind of workbenches and assembly stations.

ELECTRICAL FEATURES

Power supply	230 V 50/60Hz - 24VDC
Power	13 W
IEC class	I
Degree of protection	IP40 (Spot IP65)
Switch	On-off on the spot
Driver LED	in the lower arm - cod. SLM.A112
Power cable	PVC L1,5m with Schuko plug (230V)

OPTICAL AND MECHANICAL FEATURES

LED typ	minipower led
N° of LED	36
LED lifetime	50.000 h
Brightness LED	1400 lm - 120° @110mA
Light color	5000 K - CRI75
Fastening	4 screws or optional accessories
Weight	2,9 Kg ~
Lamp color	RAL7035

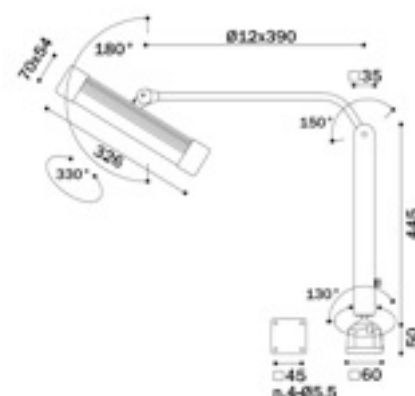
Order codes

<i>codes</i>	<i>description</i>
JOBBR.24	LAMP JOBBR 13W 5000K 24VDC
JOBBR.230	LAMP JOBBR 13W 5000K 230V
JOBBR.DIM	LAMP JOBBR 13W 5000K 230V + DIM

Flow light from working surface - H700mm

<i>∅ (mm)</i>	<i>lux</i>
100	1300 lux
250	1200 lux
500	1050 lux
800	800 lux
1000	650 lux

Dimensions (mm)



Fastening accessories



Clamp04



Magnetic plate B02