



Slim linear LED. Lamp for small and medium industrial machines. Solid anodized aluminum structure with protective glass 4mm depth. High-efficiency 6W multi-chip LED. I.D.S. technology for 24VDC connection. Shockproof and vibrations resistant. Two versions available 13-34W built-in/external Power supply 24VDC.

Electrical features

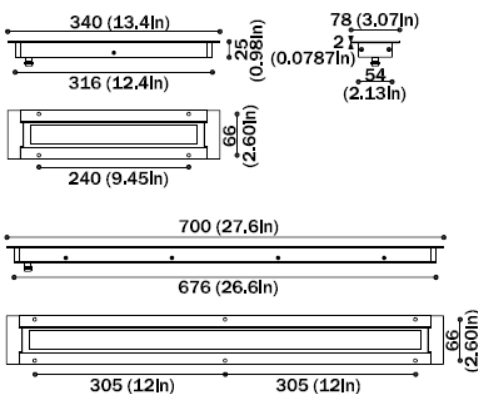
| | |
|--------------------------|-----------|
| Power supply | 24 Vdc |
| LED driver 700mA dc cost | integrato |
| IEC class | III |
| Degree of protection | IP67 |

Optical and mechanical features

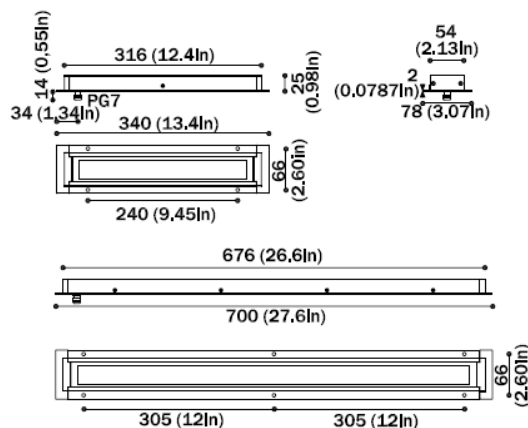
| | |
|----------------------|--|
| LED type | mini power LED |
| LED lifetime | 50 000 h |
| Brightness | wide beam 120° |
| Light color | 5000K Ra75 |
| Structure | Anodized aluminum |
| Covering | tempered glass 4mm |
| Colore lampada | Aluminum |
| Operating temperatur | -20 +55°C |
| Fastening | M5 screws |
| Power cable | 3x0,75mmq PUR: brown/black1 : 24Vdc (+) – blue/black2 : 0Vdc (-) yellow/green: GND |

| Model | Power supply | N° LED | Current | Watt | Light color | Weight |
|-------------|--------------|--------|---------|------|-------------|---------------------|
| SIDAL2.50.x | 24Vdc | 36 | 0,6 A | 13 W | 5000 K | 0,80 Kg / 1.76lb ~ |
| SIDAL5.50.x | 24Vdc | 90 | 1,5 A | 34 W | 5000 K | 1,75 Kg / 3,86 lb ~ |

DIMENSIONS (all values in millimeter / inch)



SIDAL – built-in



SIDAL - external