

Lighting apparatus made up of ABS illuminator, halogen light bulb 20W, glass protecting, ABS swivel adjustment and fixing, chromium plated stainless-steel short metal arm, unipolar switch, external transformer.



Applications: particularly suitable for the lighting of sewing machines.

ELECTRICAL FEATURES

Power supply	230V
Power	20 W
IEC class	I
Power cable	PVC L1,5m

MECHANICAL AND OPTICAL FEATURES

Light bulb type	Halogen
Light bulb lifetime	2000 h
Brightness	Narrow beam 38°
Light colour	3200 K
Fastening	ABS swivel adjustment with M8 screw
Switch	Unipolar on/off
Degree of protection	IP20
Colour	Black - RAL7035
Weight	0,80 Kg ~

ORDER CODES

Codes	Power supply	Transformer	Color
P401.N	230V	ELE	Black
P401.B	230V	ELE	White

TRANSFORMER FEATURES

<i>Cod.</i>	<i>Vin</i>	<i>Vout</i>	<i>Dim</i>
A0071003060022B	230Vac	12V	103x31x21mm

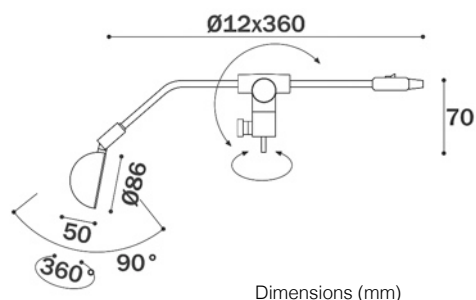
Flow light from working surface

H 220mm

∅ (mm)	lux
140	4100 lux
200	2200 lux
400	700 lux

H 500mm

∅ (mm)	lux
200	1330 lux
360	770 lux
560	560 lux



Dimensions (mm)