



LED lamp with aluminum articulated arm.

- Spot 3-6-9 led
- Aluminum articulated arm, full stability during high mechanical stress.
- Narrow, medium and wide beam angle.
- Integrated LED driver (IDS System).
- 24Vdc Power Supply.

Electrical features

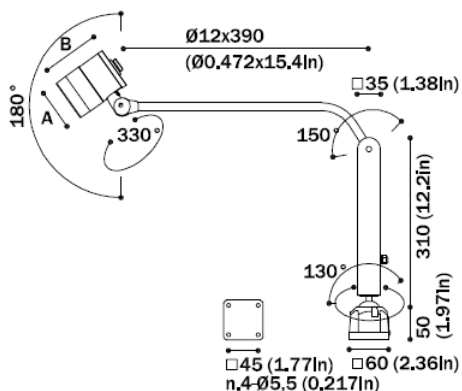
Power supply	24Vdc
LED driver 500mA	Integrated driver (IDS System)
IEC class	III

Optical and mechanical features

LED type	Power led
LED lifetime	50 000 h
Lens	8°-25°-40°; 60° BL9 only
Light color	5000K - CRI75
Structure	Aluminum
Coverage	Tempered front glass sp.4mm
Protection index	IP65 (spot)
Switch	on/off on the spot
Lamp color	Black
Working temperature	-20 +55°C
Fastening	Screws / Clamp 04 / Magnetic base
Power cable	H05RNF 2x0,75mmq Neoprene cable L1,5m

Model	Power Supply	N. of LED	Power Watt	Lumen led	Driver	Weight
BL3.XX.24	24Vdc	3	6W	450lm	IDS System	1,30 Kg / 2,87 lb
BL6.XX.24	24Vdc	6	12W	900lm	IDS System	1,30 Kg / 2,87 lb
BL9.XX.24	24Vdc	9	18W	1350lm	IDS System	1,60 Kg / 3,53 lb

DIMENSIONS (all values in millimeters / inch)



Model	A – mm/in	B – mm/in
BL3.XX.24	64 / 2.52	86 / 3.39
BL6.XX.24	64 / 2.52	86 / 3.39
BL9.XX.24	90 / 3.54	101 / 3.98

TOOL BL 230

LED lamps for industrie and machine tools



LED lamp with aluminum articulated arm.

- Spot 3-6-9 led
- Aluminum articulated arm, full stability during high mechanical stress.
- Narrow, medium and wide beam angle.
- LED driver in the aluminum arm.
- 230V 50/60Hz Power Supply.

Electrical features

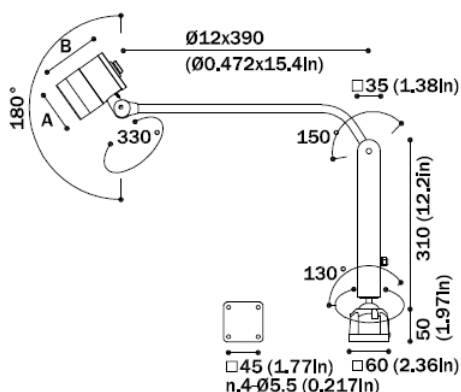
Power supply	230V 50/60Hz
LED driver 500mA	Driver in the aluminum arm
IEC Class	II

Optical and mechanical features

LED type	Power led
LED lifetime	50 000 h
Lens	8°-25°-40°; 60° BL9 only
Light color	5000K - CRI75
Structure	Aluminum
Coverage	Tempered front glass sp.4mm
Protection index	IP65 (spot)
Switch	on/off on the spot
Lamp color	Black
Working temperature	-20 +55°C
Fastening	Screws / Clamp 04 / Magnetic base B02
Power cable	PVC L1,5m with Schuko plug

Model	Power Supply	N. of LED	Power Watt	Lumen led	Driver	Weight
BL3.XX.230	230V 50/60Hz	3	6W	450lm	A0181005060705B	1,35 Kg / 2,98 lb
BL6.XX.230	230V 50/60Hz	6	12W	900lm	A0141005060709B	1,35 Kg / 2,98 lb
BL9.XX.230	230V 50/60Hz	9	18W	1350lm	A0271005069919A	1,65 Kg / 3,64 lb

DIMENSIONS (all values in millimeters)



Model	A – mm/in	B – mm/in
BL3.XX.24	64 / 2.52	86 / 3.39
BL6.XX.24	64 / 2.52	86 / 3.39
BL9.XX.24	90 / 3.54	101 / 3.98