



The LED pointers have been designed and built for the alignment and the positioning of materials on sewing and pressing machines as well as for infinite other use. They can therefore be installed wherever maximum precision and productivity are needed on a industrial level. The absolute resistance to shock and vibrations including resistance to dust and fine particles makes this range fully suitable to industrial environments.

In the LED pointing and/or positioning system LED light can be focused changing the spyglass position.



FEATURES

- LED Pointer
- Operating voltage
- Power (Watt)
- Current
- IEC Class
- LED type
- Available Focus
- Light colour
- LED lifetime
- Switch
- Protection index
- Power cable

PSU

Order code:

- Vin:
- Iout:
- P:
- Power cable:

L1 (1W)

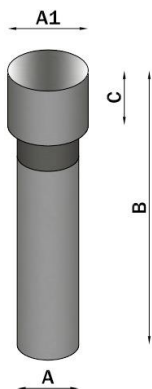
- 3,2 Vdc
- 1W
- 350mA
- II
- Power LED
- 28-32-52-87
- Red-Green-White
- 50.000h
- PSU unipolar on-off switch
- IP40
- PVC L1,5m with jack

L3 (3W)

- 3,2 Vdc
- 3W
- 450mA
- II
- Power LED
- 28-32-52-87
- Red-Green-White
- 50.000h

A7LED1W (for L1 LED) A11LED3W (for L3 LED)

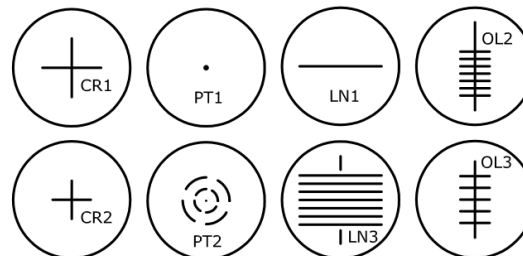
- 230 Vac 50-60Hz
- 350 mA dc
- 3,5 W
- PVC L1,5m with europlug
- 230 Vac 50-60 Hz
- 450 mA dc
- 3 W
- PVC L1,5m with europlug



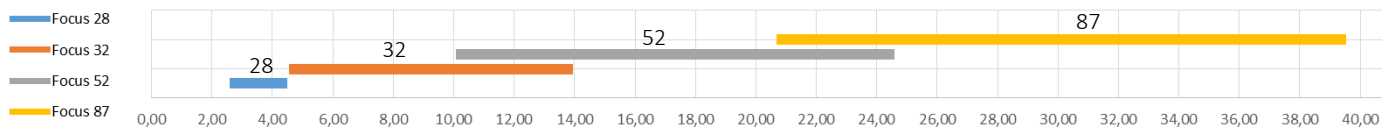
Size

FOCUS	A (mm/in)	A1 (mm/in)	B (mm/in)	C (mm/in)
28	18 / 0,709	23.5 / 0,925	80 / 3.15	16 / 0.630
32	18 / 0,709	23.5 / 0,925	80 / 3.15	16 / 0.630
52	18 / 0,709	23.5 / 0,925	92 / 3.62	16 / 0.630
87	18 / 0,709	23.5 / 0,925	125 / 4.92	16 / 0.630

Holograms



FOCUSING DISTANCE (inch)



CODE COMPOSER SCHEME

CODICE / CODE

52 . CR1 . L1 . V

Focus (28-32-52-87)

Hologram type

Power LED (L1=1W , L3=3W)

Light's colour

R=red, B=white, V=green

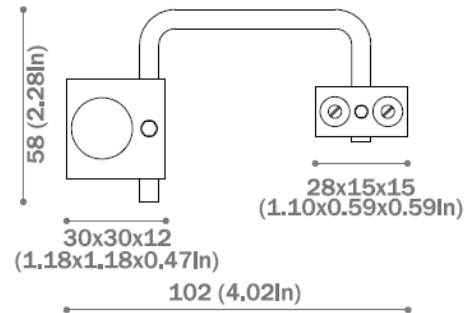
LED POINTERS FASTENING ACCESSORIES

ORDER CODE: ART. 16

Description: rigid fixation on metallic arm for LED pointers



Dimensions in millimeters / inches

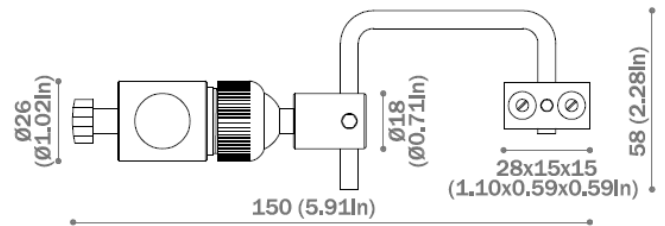


ORDER CODE: ART. 34

Description: articulated fixation on metallic arm for LED pointers



Dimensions in millimeters / inches



ORDER CODE: ART. 36

Description: articulated ABS fixation for LED pointers



Dimensions in millimeters / inches

