

## MonoLED

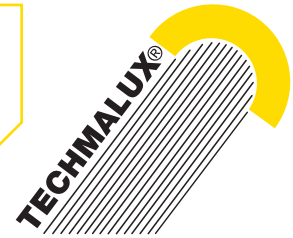
System of protection	IP65
Series	workplace lamp
Lamp arm length	600 mm (flexible)
Radiation angle	15°
Power	1 x 5 W
Voltage	24 V, AC/DC 230 V 50/60 Hz
Item nos.	596-026-001 (230 V) 596-026-002 (24 V)



### CHARACTERISTICS / ADVANTAGE

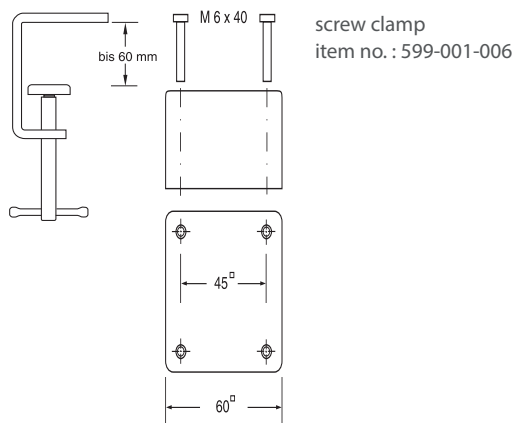
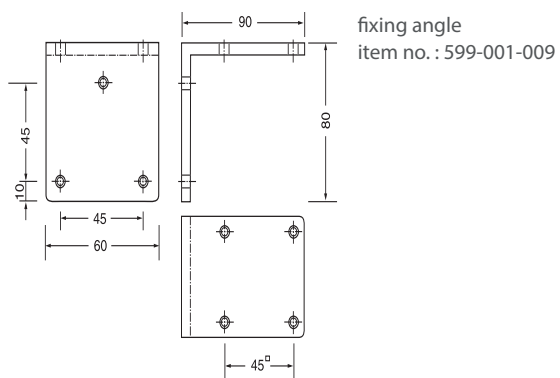
- machine lamp
- flexible workplace lamp - flexible lamp
- LED-lamp
- various types of connection voltage available

# MonoLED



TYPE	ITEM NO.	POWER	EMISSION ANGLE	ARM LENGTH / MM	VOLTAGE	POWER LINE
MonoLED	596-026-001	1 x 5 W	15 °	flexible 600	230 V, 50/60 Hz	1,8 m
MonoLED	596-026-002	1 x 5 W	15 °	flexible 600	24 V, AC/DC	1,8 m

## ACCESSORIES



## DRAWING

