

ELECTRONIC FLUORESCENT LIGHTING WITH LENS

Circular light with 230V a.c. 50Hz supply. Other voltages available on request. Clear and defined lighting field. Circular 22W fluorescent tube, easy to change. High yield electronic power supply. Scratch resistant anodised aluminium support. A high standard of construction ensures excellent robustness and long trouble-free life. The head, in insulating plastic material, is ideal for an optimum distribution of light. Ergonomic construction for practical use. Standard model with 3 diopter. 5 diopter available on request.

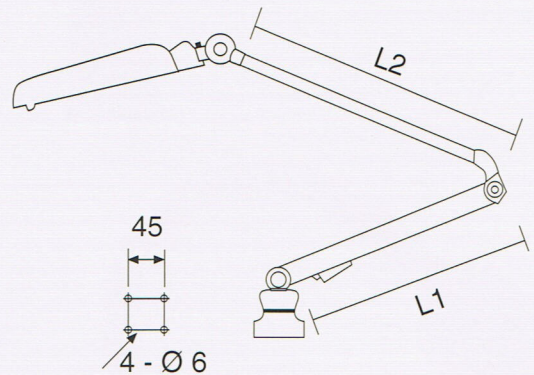
HQ 45



ARTICLE NUMBER	L1 + L2
HQ 32	340 + 280
HQ 33	340 + 380
HQ 45	440 + 490

IP65

HQ 33



HQ 32

